

ALPINE COMMUNICATIONS, L. C.

RATES, TERMS AND CONDITIONS
July 1, 2014

WIRELINE BROADBAND INTERNET TRANSPORT SERVICE

RATES, TERMS AND CONDITIONS
APPLICABLE TO
WIRELINE BROADBAND INTERNET TRANSPORT SERVICE
FURNISHED BY

ALPINE COMMUNICATIONS, L. C.

923 Humphrey Street
P.O. Box 1008
Elkader, Iowa 52043

ILEC Study Area Code 351106
FCC 499 Filer I.D. 814655

FOR SERVICES
AS PROVIDED FOR HEREIN.

EFFECTIVE JULY 1, 2014

WIRELINE BROADBAND INTERNET TRANSPORT SERVICE

TABLE OF CONTENTS**Section 1: General**

- 1.1 Application of Rates, Terms and Conditions
- 1.2 Definitions

Section 2: Terms and Conditions

- 2.1 Undertaking of the Company
 - 2.1.A Scope
 - 2.1.B Limitations
- 2.2 Obligations of the Customer
- 2.3 Liabilities of the Company
- 2.4 Application for Service
- 2.5 Executed Agreements
 - 2.5.A Agreement
 - 2.5.B Technical Standards Supplement (“TS Supplement”)
- 2.6 Charges and Payments for Service or Facilities
 - 2.6.A Deposits
 - 2.6.B Description of Payment and Billing Periods
 - 2.6.C Taxes and Other Charges
 - 2.6.D Payment and Late Payment Charge
 - 2.6.E Credit Allowance/Service Interruptions
 - 2.6.F Service Interruption Measurement
- 2.7 Termination or Denial of Service by the Company
- 2.8 Billing Disputes

Section 3: Description of Service

- 3.1 General
 - 3.1.A Ethernet Transport Service Connection
 - 3.1.B Designated End User Premises
- 3.2 Service Options
- 3.3 WBITS Provisioning
 - 3.3.A Responsibility of the Company
 - 3.3.B Responsibility of the Customer
- 3.4 Rate Regulations
 - 3.4.A Rate Elements
 - 3.4.B Rate Application
 - 3.4.C Minimum Period
 - 3.4.D Moves
 - 3.4.E WBITS Term and Volume Plan Rates
 - 3.4.F Individual Case Basis (“ICB”) Offerings

Section 4: Rates and Charges

- 4.1 WBITS Access Service Connection
- 4.2 WBITS Network Reconfiguration Charge
- 4.3 WBITS Monthly Recurring and Nonrecurring Line Charges
- 4.4 WBITS Upstream Capacity Increments (“WUCI”)

WIRELINE BROADBAND INTERNET TRANSPORT SERVICE

1. General**1.1 Application of Rates, Terms and Conditions**

- 1.1.A Alpine Communications LC, incumbent local exchange carrier (“ILEC”) study area designation 351106 with FCC Form 499 Filer ID 814655 is hereinafter referred to as the “Company.”
- 1.1.B The rates, terms and conditions contained within this document, hereinafter referred to as “Rates, Terms and Conditions,” are applicable to the provision by the Company of Wireline Broadband Internet Transport Service, hereinafter collectively or individually referred to alternatively as “Service” or Wireline Broadband Internet Transport Service or “WBITS”, as specified herein. Service is furnished subject to the availability of facilities and subject to transmission, atmospheric and like conditions. By accepting Service from the Company, the Customer accepts these Rates, Terms and Conditions as a binding agreement between the Customer and the Company.
- 1.1.C Under the Rates, Terms and Conditions the Company offers the Services subject to the jurisdiction of the Federal Communications Commission (“FCC”) pursuant to Title II of the Communications Act of 1934, As Amended, (47 USC § 201-276) on a common-carriage permissively detariffed basis.
- 1.1.D The Company offers Services where technically feasible within its incumbent local exchange carrier (“ILEC”) exchange boundaries in the state of Iowa. For purposes of interstate services, including permissively detariffed WBITS as is comprehended by the Services, the Company’s serving area is identified as a study area with a discrete Study Area Code (“SAC”) 351106.
- 1.1.E The provision of Service by the Company as set forth in these Rates, Terms and Conditions does not constitute a joint undertaking with the Customer for the furnishing of any service.
- 1.1.F From time to time, the Company may at its sole discretion modify the Rates, Terms and Conditions. Modification will be effective thirty (30) days after both posting of revised Rates, Terms and Conditions on the Company’s Internet web site and mailing by United States Postal Service a copy of the revised Rates, Terms and Conditions to all customers currently a party to an executed Agreement as described in Section 2.5 following.

WIRELINE BROADBAND INTERNET TRANSPORT SERVICE

1.2 Definitions

Certain terms used throughout these Rates, Terms and Conditions are defined as follows.

Application for Service

An “Application for Service” is a standard order form which includes all pertinent billing, technical, and other descriptive information which will enable the Company to provide the Service as required.

Broadband

For purposes of these Rates, Terms and Conditions, “broadband” means transmission of IP data at speeds of 512 kbps or higher upstream and 512 kbps or higher downstream.

Company

“Company” refers to Alpine Communications, L.C., incumbent local exchange carrier (“ILEC”) study area designation 351106 and FCC Form 499 Filer ID 814655 operating in portions of Iowa.

Customer

A “Customer” is any individual, partnership, association, trust, corporation, cooperative or governmental agency or other entity which utilizes the Services provided by the Company. A Customer, as set forth herein, is responsible for the payment of charges and for compliance with all applicable terms of the Rates, Terms and Conditions.

Customer Provided Equipment

Terminal equipment or facilities provided by persons other than the Company and connected to the Company's Services and/or facilities.

Data-Only WBITS

The term “Data-Only” when used in the context of WBITS refers to provision of the service over a line that does not also carry local exchange switched voice telephone service to the customer premises.

Digital Subscriber Line (“DSL”) Access Service Connection Point

The term “Digital Subscriber Line (DSL) Access Service Connection Point” is a location designated by the Company that serves as an aggregation point for the collection of Company WBITS traffic from multiple Digital Subscriber Line Access Multiplexers (DSLAMs) or comparable packet-mode data modem equipment. Network Service Providers establish connections to the Company's WBITS network at the Company designated DSL Access Service Connection Point.

WIRELINE BROADBAND INTERNET TRANSPORT SERVICE

Downstream

“Downstream” refers of the flow of IP data from an ISP to an end user subscriber customer designated premises such as, but not limited to a subscriber’s home or business over the Company’s WBITS network.

Ethernet

The term “Ethernet” denotes a high speed networking technology utilizing a packet-based Ethernet protocol. Ethernet enables broadband multimedia traffic (i.e., voice, data and video) to be carried over the same network. Ethernet Transport Service (“ETS”) for connection to the Company’s WBITS network DSL Access Service Connection Point must be ordered from the Company pursuant to the regulations and rates in NECA Tariff FCC No. 5 for which the Company is an issuing carrier.

Incumbent Local Exchange Carrier (“ILEC”)

Incumbent Local Exchange Carrier (“ILEC”) has the same meaning as Section 251(h) of the Communications Act, as Amended 47 U.S.C. § 251(h)(1).

(1) DEFINITION.—For purposes of this section, the term "incumbent local exchange carrier" means, with respect to an area, the local exchange carrier that--(A) on the date of enactment of the Telecommunications Act of 1996, provided telephone exchange service in such area; and (B)(i) on such date of enactment, was deemed to be a member of the exchange carrier association pursuant to section 69.601(b) of the Commission's regulations (47 C.F.R. 69.601(b)); Or (ii) is a person or entity that, on or after such date of enactment, became a successor or assign of a member described in clause (i).

Internet

The Internet is “the international computer network of both Federal and non-Federal interoperable packet switched data networks.” 47 USC §230(f)(1). The Internet is also described as “the combination of computer facilities and electromagnetic transmission media, and related equipment and software, comprising the interconnected worldwide network of computer networks that employ the Transmission Control Protocol/Internet Protocol or any successor protocol to transmit information.” 47 USC §231(e)(3).

Internet Protocol (“IP”)

The Internet Protocol (“IP”) is the industry standard method or protocol by which data is sent from one computer to another on the Internet.

Internet Service Provider (“ISP”)

An Internet Service Provider (ISP) is an organization that provides access to the Internet. The ISP provides the username and password to the end user Internet customer.

WIRELINE BROADBAND INTERNET TRANSPORT SERVICE

kbps

“kbps” is the widely recognized abbreviation for “kilobits per second”, a measure of data transfer speed. The “k” in kbps is lowercase to indicated measurement in decimal, i.e. 1 kbps is 1,000 kilobits per second.

Multi-Media

“Multi-Media” refers to data transport services that include data, text, audio, and visual content through use of Internet Protocol.

Mbps

“Mbps” is the widely recognized abbreviation for “megabits per second”, indicating a data transfer speed of one million bits per second.

NECA Tariff FCC No. 5

National Exchange Carrier Association, Inc. (“NECA”) Tariff FCC No. 5 is the interstate access tariff filed by NECA on behalf of members of NECA. The Company is a member of NECA and a participant in the NECA Common Line and Traffic Sensitive Pools. Additionally, the Company is an issuing carrier for NECA Tariff FCC No. 5. Because the Company is an issuing carrier, it is pursuant to the rates and regulations of NECA Tariff FCC No. 5 that Customers must order interstate Ethernet Transport Service (“ETS”) services required for connection to the Company’s WBITS network at the Company’s DSL Access Connection Point.

Network Service Providers

“Network Service Providers” are Internet Service Providers (ISPs) or Multi-Media providers who provide retail services to end user customers based on transmission of data through use of Internet Protocol.

Rates, Terms and Conditions

“Rates, Terms and Conditions” refers to this document as a whole comprising the rates, terms and conditions applicable to the provision of Services to Customers by the Company.

Service

“Service” means the offerings of the Company comprising Wireline Broadband Internet Transport Service (“WBITS”).

Study Area

A study area is a geographic segment of an ILEC’s telephone operations and generally corresponds to an incumbent local exchange carrier’s entire service territory within a state for which the National Exchange Carrier Association, Inc. (“NECA”) has assigned a six-digit study area code (“SAC”).

WIRELINE BROADBAND INTERNET TRANSPORT SERVICE

Subscriber

The term “subscriber,” as used in these Rates, Terms and Conditions, refers to the Customer’s end user customer served by the Company and to which the Customer orders WBITS service for connection from the Customer’s ETS connection at the Company’s DSL Access Connection Point.

Telecommunications

“Telecommunications” is the transmission of voice communications or, subject to the transmission capabilities of the service, the transmission of data, facsimile, signaling, metering, or any other form of intelligence.

Upstream

“Upstream” refers of the flow of IP data from an end user subscriber customer designated premises such as, but not limited to a subscriber’s home or business to an ISP over the Company’s WBITS network.

Voice-Data WBITS

The term “Voice-Data” when used in the context of WBITS refers to provision of the service over a line that also carries local exchange switched voice service to the customer premises.

Wireline Broadband Internet Transport Service (“WBITS”)

“Wireline Broadband Internet Transport Service” or “WBITS” is a high-speed data access service that is made available to Network Service Providers for connection to the Company’s end user customers over existing company local exchange facilities for provision broadband services employing Internet Protocol.

WBITS Upstream Capacity Increments (WUCI)

“WBITS Upstream Capacity Increments” allow a Customer requiring the ability to transport high speed Internet Protocol transmissions upstream from an end user customer premises to the Customers’ Designated Premises to order additional increments of upstream capacity.

WIRELINE BROADBAND INTERNET TRANSPORT SERVICE

2. Terms and Conditions**2.1 Undertaking of the Company****2.1.A Scope**

The Company makes Services available to Network Service Providers. Services are described in Section 3 of these Rates, Terms and Conditions.

Connecting the Customer's network to the Company's WBITS network requires the Customer to order Ethernet Transport Service ("ETS") services sufficient to carry the Customer's data between its premises and the Company's designated DSL Access Connection Point. ETS within the Company's serving area must be obtained from the Company under NECA) Tariff FCC No. 5. The Company is an issuing carrier for NECA Tariff FCC No. 5 and bills Customers the rates established in NECA Tariff FCC No. 5 for services ordered pursuant thereto subject to the regulations of NECA Tariff FCC No. 5.

NECA Tariff FCC No. 5 regulations and rates respecting Asymmetric Digital Subscriber Line ("ADSL") Access Service or Synchronous Digital Subscriber Line ("SDSL") Access Service do not apply to any service provided by the Company. Instead, the Company makes WBITS available on a permissively detariffed, common carriage basis under these Rates, Terms and Conditions.

The NECA Tariff FCC No. 5 ETS Optional Feature and Function Multi-Media-Virtual Circuit Channel ("MM-VCC") is not required for additional capacity under the Rates, Terms and Conditions. Instead, additional upstream capacity is provided by Optional WBITS Upstream Capacity Increment (WUCI) service pursuant to Section 3.4.A(5) of these Rates, Terms and Conditions. The Company makes available WUCI in general because the rate structure for WBITS reflects progressively higher downstream capacities to meet typical end user customer needs without similarly large increases in upstream capacity. Accordingly, additional downstream capacity is achieved by ordering a WBITS capacity with higher downstream capacity while additional upstream capacity may be achieved by ordering WUCI for an existing WBITS line.

2.1.B Limitations

- (1) The services provided pursuant to these Rates, Terms and Conditions are offered subject to the availability of facilities and the other provisions of these Rates, Terms and Conditions.
- (2) The Company does not undertake to transmit communications or messages, but rather furnishes facilities, Service and equipment for such transmissions by the Customer.
- (3) The Company retains the right to deny Service to any Customer which fails to comply with the rules and regulations of these Rates, Terms and Conditions, or other applicable rules, regulations or laws.

WIRELINE BROADBAND INTERNET TRANSPORT SERVICE

2.2 Obligations of the Customer

- 2.2.A All Customers assume general responsibilities in connection with the provision and use of the Company's Service. General responsibilities are described in this section. When facilities, equipment, and/or communication systems provided by others are connected to the Company's facilities, the Customer assumes the additional responsibilities as set forth in Section 2.2, herein.
- 2.2.B The Customer is responsible for the payment of all charges for any and all Services or facilities provided by the Company to the Customer.
- 2.2.C The Customer shall indemnify and save harmless the Company from and against all loss, liability, damage and expense, including reasonable counsel fees, due to claims for libel, slander, or infringement of copyright or trademark in connection with any material transmitted by the Customer using the Company's Services; and any other claim resulting from any act or omission of the Customer to the use of the Company's facilities.
- 2.2.D The Customer shall reimburse the Company for damages to the Company's facilities caused by any negligence or willful act or acts on the part of the Customer.
- 2.2.E In the event a suit is brought by the Company, or an attorney is retained by the Company to collect any bill or enforce the terms of these Rates, Terms and Conditions against a Customer, that Customer shall be responsible for payment of all reasonable attorney's fees, court costs, costs of investigation and any and all other related costs and expenses incurred by the Company in connection therewith.
- 2.2.F The Customer understands that the Services are furnished subject to the condition that there will be no abuse, fraudulent and/or illegal use thereof. Such activity includes, but is not limited to:
- (1) Using the Service for any purpose which is in violation of any law.
 - (2) Obtaining or attempting to obtain Services through any scheme, false representation and/or use of any fraudulent means or devices whatsoever with the intent to avoid payment, in whole or in part, of charges for Services, or assisting any other person or firm in such regard.
 - (3) Using the Services in a manner that interferes unreasonably with the use of Service by one or more other Customers.

WIRELINE BROADBAND INTERNET TRANSPORT SERVICE

2.3 Liabilities of the Company

Except as stated in this Section 2.3, the Company shall have no liability for damages of any kind arising out of or related to events, acts, rights or privileges contemplated in the Rates, Terms and Conditions.

- 2.3.A The liability of the Company for damages resulting in whole or in part from or arising in connection with the furnishing of Service under the Rates, Terms and Conditions including, but not limited to, mistakes, omissions, interruptions, delays, errors or other defects or misrepresentations shall not exceed an amount equal to the charges under the Rates, Terms and Conditions applicable to the specific call (or portion thereof) that was affected. No other liability shall attach to the Company.
- 2.3.B The Company shall not be liable for any failure of performance hereunder due to causes beyond its control, including, but not limited to: (1) acts of God, fires, flood or other catastrophes; (2) any law, order, regulation, directive, action or request of the United States Government, or any other government, including state and local governments having jurisdiction over the Company, or of any department, agency, bureau, corporation or other instrumentality of any one or more of said governments, or of any civil or military authority; or (3) national emergencies, insurrections, riots, wars or other labor difficulties.
- 2.3.C The Company shall not be liable for any act or omission of any other entity furnishing facilities, equipment, or services used by a Customer, with the Company's Services. In addition, the Company shall not be liable for any damages or losses due to the failure or negligence of any customer or due to the failure of customer provided equipment, facilities or services.

2.4 Application for Service

The Customer must place an Application for Service with the Company to initiate, cancel or change the Services provided pursuant to these Rates, Terms and Conditions. Applications for Services may be either in writing or orally and provide, at a minimum, the following information:

- 2.4.A Customer's name(s), telephone number(s) and address(es). In the case of a corporation or partnership, a designated officer or agent shall be named as the contact person for such corporation or partnership.
- 2.4.B Name(s), address(es) and telephone number(s) of person(s) to whom notices from the Company to the Customer shall be addressed, if different from (A) above.

WIRELINE BROADBAND INTERNET TRANSPORT SERVICE

2.5 Executed Agreements**2.5.A Agreement**

The Company and the Customer shall execute an agreement (“Agreement”) setting forth, based on the Customer’s Application for Service, the specific services available under the Rates, Terms and Conditions that the Customer is ordering, the terms and volume commitments the Customer is establishing, the type and volume of Ethernet Transport Service the Customer is ordering under NECA Tariff F.C.C. No. 5. The Agreement shall incorporate by reference these Rates, Terms and Conditions. The Rates, Terms and Conditions incorporated by reference into the Agreement should be the current Rates, Terms and Conditions posted on the Company’s web site or delivered to the customer by United States Postal Service, subject to amendment by the Company from time to time as provided for in Section 1.1.F.

2.5.B Technical Standards Supplement (“TS Supplement”)

The Company and the Customer shall agree to the industry technical standards applicable to the transmission of data between the Customer and the Company through use of the Company’s WBITS provided pursuant to these Rates, Terms and Conditions and the Agreement. The agreed to technical standards shall be documented in the Technical Standards Supplement (“TS Supplement”). The TS Supplement shall be signed by both parties and incorporated by reference into the Agreement.

The TS Supplement can be amended, from time to time, based on mutual agreement of the Customer and the Company. If an industry standard becomes obsolete or is otherwise no longer supported by vendors associated with the Company’s network, any duties with respect to technical standards are vitiated. In the event the Customer and the Company do not come to agreement regarding replacement industry standards, the Company shall choose the replacement industry standard most commonly used by the industry.

2.6 Charges and Payments for Service or Facilities**2.6.A Deposits**

- (1) The Company may, in order to safeguard its interests, require a Customer to make a suitable deposit or provide a surety bond or letter of credit in the amount of the required deposit as a guarantee of the payment of charges. The Company shall have the right to require the Customer to make a deposit prior to or at any time after provision of any Service, not to exceed three (3) months estimated charges. The Company may increase the amount of the deposit to reflect increases to the Customer's annual bill. The Customer will receive a receipt for the deposit.
- (2) Any deposit as referred to in this Section shall be held by the Company to secure the payment

WIRELINE BROADBAND INTERNET TRANSPORT SERVICE

of the Customer's bill. At the Company's option, the deposit may be refunded or credited to the Customer at any time prior to the termination of Service.

- (3) Interest will be paid by the Company on all sums held on deposit at the rate established statutorily for customer deposits. The interest will be accrued for the period during which the deposit is held by the Company.
- (4) The fact that a deposit is made does not relieve the Customer from making advance payments or from complying with the Company's regulations for the payment of bills in accordance with the terms herein and does not constitute a waiver or modification of the regulations of the Company providing for the discontinuance of Service for nonpayment of any sums due the Company for Service rendered.
- (5) Upon termination of Service, and assuming deposits of the Customer are not applied as indicated in Section 2.6.A.2, the deposit will be credited to the Customer's account and any credit balance will be refunded after all amounts due the Company have been paid.

2.6.B Description of Payment and Billing Periods

- (1) Service is provided and billed on a monthly basis. Service continues to be provided and billed on a monthly basis until canceled by the Customer through notice given to the Company.
- (2) The Company shall establish the start date for monthly bill periods and such monthly periods shall continue through the term of the Agreement.
- (3) Proration of Charges

Adjustments for the quantities of services established or discontinued in any billing period beyond the minimum period set forth for services in other sections of the Rates, Terms and Conditions will be prorated to the number of days based on a 30 day month.

2.6.C Taxes and Other Charges

In addition to payment for Services, Customer must pay all taxes, fees, surcharges and other charges that the Company bills Customer related to Services. Taxes and surcharges will be in the amounts that federal, state and local authorities require the Company to bill Customer. The Company will not provide advance notice of changes to taxes and surcharges, except as required by applicable law. All such taxes and charges shall be separately shown and charged on bills rendered by Company or its billing agent.

WIRELINE BROADBAND INTERNET TRANSPORT SERVICE

2.6.D Payment and Late Payment Charge

- (1) Payment will be due as specified on the Customer bill. Commencing after that due date, a late charge of up to the highest interest rate allowable by state law will be applied to all amounts past due.
- (2) Collection procedures and the requirement for a deposit are unaffected by the application of a late payment charge. The late payment charge does not apply to unpaid balances associated with disputed amounts. Undisputed amounts on the same bill are subject to the late payment charge if unpaid and carried forward to the next bill.
- (3) Service may be denied or discontinued at the Company's discretion for nonpayment of amounts due the Company past the due date as specified in 2.6.D(1). Restoration of Service will be subject to all applicable installation charges.

2.6.E Credit Allowance/Service Interruptions

- (1) Credit for failure of Service will be allowed only when failure is caused by or occurs in the Company's facilities or equipment owned, provided and billed for by the Company. A credit allowance is not applicable for any period during which Customer cannot utilize the Service, except for such period where the Service is interrupted by the Company for access to its facilities for the purposes of investigating and clearing troubles and/or maintenance.
- (2) Credit allowances for failure of Service or equipment starts when the Customer notifies the Company of the failure and ceases when the operation has been restored and an attempt has been made to notify the Customer by the Company.
- (3) The Customer shall notify the Company of failures of Service or equipment and make reasonable attempts to ascertain that the failure is not caused by Customer Provided Equipment or Customer provided facilities, any act, or omission of the Customer, or in wiring or equipment connected to the Customer's terminal.
- (4) Only those portions of the Service or equipment operation disabled will be credited.

2.6.F Service Interruption Measurement

- (1) In the event of an interruption of Service that exceeds the minimum requirements set forth in this paragraph, the Company shall make a credit allowance at the Customer's request for a pro rata adjustment of all Service charges billed by the Company for Services rendered inoperative by the interruption. The credit allowance will be computed by dividing the duration of the service interruption measured in twenty-four (24) hour days, from the time the interruption is reported to the Company, by a standard thirty (30) day month, and then multiplying the result

WIRELINE BROADBAND INTERNET TRANSPORT SERVICE

by the Company's fixed monthly charges for each interrupted Service.

- (2) A credit allowance will not be given for interruptions caused by the negligence or willful act of the Customer, or interruptions caused by failure of equipment or service not provided by the Company.

2.7 Termination or Denial of Service by the Company

2.7.A The Company may, immediately and without notice to the Customer, and without liability of any nature, temporarily deny, terminate, or suspend Service to any Customer:

- (1) In the event such Customer or its agent: (a) willfully damages the Company equipment, interferes with use of the Company's Service by other Customers of the Company; (b) unreasonably places capacity demands upon the Company's facilities or Service; or (c) violates any statute or provision of law, or any rule or regulation of any state or federal regulatory agency relating to communications; or (d) otherwise fails to comply with the provisions of these Rates, Terms and Conditions or applicable law; or
- (2) In the event a Customer becomes insolvent, is the subject of any formal legal proceeding commenced in a court involving a voluntary or involuntary petition or proceeding in bankruptcy, seeks protection or relief from creditors in a formal legal proceeding after a filing for such relief, or executes an assignment for the benefit of creditors; or
- (3) In the event that the Company determines that any Service is being used fraudulently or illegally, whether by a Customer or its agent.

2.8 Billing Disputes

If Customer believes Customer has been billed by the Company in error, Customer must contact the Company within sixty (60) days of the date of the bill which contains the disputed charge. Refunds or adjustments will not be issued for any charge that is more than sixty (60) days old at the time Customer notifies the Company. Customer may withhold from payment to the Company the disputed portion of any bill pending resolution of the dispute. Customer must pay all non-disputed charges on the bill by the due date indicated on the bill. The Company will notify Customer of the results of its inquiry, and either adjust the billing, issue a credit, or notify Customer that all or a portion of the disputed amount is still owed. Customer will be required to pay such amount within fifteen, (15) days thereafter, and if Customer fails to pay this amount within the time required, Customer's account will be deemed past due and unpaid and Customer's Service subject to termination under Section 2.6 above. Any payments Customer withholds pending resolution of the dispute may be subject to a late payment charge at the highest interest rate allowable by law applied to past due amounts.

WIRELINE BROADBAND INTERNET TRANSPORT SERVICE

3. Description of Service**3.1 General**

Wireline Broadband Internet Transport Service (“WBITS”) enables data traffic generated by a Customer-provided modem to be transported from the premises of the Company’s end user customer to the Company’s DSL Access Service Connection Point using the Company’s local exchange service facilities. A DSL Access Service Connection Point is an interconnection point designated by the Company at which the customer may interconnect WBITS provided by the Company under the Agreement and Rates, Terms and Conditions with transmission facilities ordered by the Customer under the Company’s ETS offerings under NECA) Tariff F.C.C. No. 5. The DSL Access Service Connection Point aggregates WBITS data.

3.1.A Ethernet Transport Service Connection

The Company offers transport of Network Service Provider traffic between the Network Service Provider’s designated premises and the DSL Access Service Connection Point through Ethernet Transport Service (“ETS”).

3.1.B Designated End User Premises

The Company’s WBITS allows Customers to establish broadband Internet connections to the designated end user premises. The designated end user premises location must be served by an existing Company provided exchange line facility. An exchange line facility is the serving wire center central office line equipment and all of the plant facilities up to and including the Company-provided NID.

The connection speed or “sync rate” is between the NID at the end user’s premises and the DSLAM. Actual data transfer or throughput may be lower than the sync-rate due to Internet congestion, server or router speeds, protocol overheads, end user use of multiple applications and other factors that may not be under the Company’s control.

WBITS will be provided by the Company subject to the availability and limitations of Company Wire Centers and outside plant facilities.

3.2 Service Options

WBITS is available in the downstream and upstream options established by the Company as indicated in each option offered by the Company shall specify the downstream and upstream speeds.

Additional upstream capacity is available to the Customer for a WBITS line through Optional WBITS Upstream Capacity Add-On Increment (WUCI) pursuant to Section 3.4A(5) of the Rates, Terms and Conditions.

WIRELINE BROADBAND INTERNET TRANSPORT SERVICE

3.3 WBITS Provisioning**3.3.A Responsibility of the Company**

- (1) WBITS will be provisioned over existing Company local exchange service lines.
- (2) Where fiber is installed to the end user customer premises, subject to technical capability, the Company will provision WBITS over fiber facilities.
- (2) Where fiber facilities are not available, the Company will determine if the copper facilities are suitable for use with the WBITS option ordered by the customer. Service will not be provided on lines that are not suitable for Wireline Broadband Internet Transport Service or on lines that produce interference with other services provided by the Company.
- (3) The Company will provision and maintain WBITS for the customer between the NID at the end user premises and the customer's Ethernet Transport Service DSL Access Connection Point.
- (4) The Company reserves the right to temporarily interrupt WBITS for wire center or network maintenance, software updates, and in emergency situations.

3.3.B Responsibility of the Customer

- (1) The Customer is responsible for obtaining and installing compatible customer premises equipment (DSL modems and/or routers) used for connection to Company WBITS.
- (2) The Customer is responsible for ensuring the continuing compatibility of CPE at the end user premises. The customer and/or end user shall be responsible for any expenses incurred for required changes to customer and/or end user equipment or facilities in order to make such equipment or facilities compatible with Company WBITS.
- (3) The customer is responsible for providing the Company with the necessary information to provision the WBITS to its subscribers.
- (4) The Customer ordering WBITS on behalf of its subscriber(s) must obtain and maintain record of a letter of agency authorizing the customer to act as the agent of the end user subscriber. Upon request from the Company, the customer will provide the Company with a copy of the letter of agency.
- (5) The Customer must have connectivity to Company's Ethernet Transport Service network where customer chooses to purchase WBITS. The rates and charges for Ethernet Transport Service are in addition to the rates and charges for WBITS as set forth in these Rates, Terms and Conditions.

WIRELINE BROADBAND INTERNET TRANSPORT SERVICE

- (6) The Customer must order a WBITS Access Service Connection. The WBITS Access Service Connection provides for the interconnection of a customer's network with the Company's WBITS network at the Company's designated DSL Access Service Connection Point. Monthly recurring charges and nonrecurring charges apply to WBITS Access Service Connections as set forth following.
- (7) The Customer will obtain the appropriate authorization to allow the Company's employees or agents to enter the end user customer's designated premises at any reasonable hour for the purpose of installing, inspecting, repairing or removing the NID or drop associated with WBITS.
- (8) The Customer is responsible for providing all customer support, marketing, billing, ordering and repair to and for its end users.
- (9) The Customer is responsible for all dealings with end user customers for Internet service provided by the Customer.
- (10) The Customer shall at all times be the Customer of record with respect to all Services purchased hereunder and shall be responsible for payment to Company. Customer retains all responsibility for billing its end users and for any claim an end user may make concerning unauthorized billing.

3.4 Rate Regulations**3.4.A Rate Elements**

There are five types of rates and charges applicable to WBITS. These are a monthly connection WBITS access service connection charge, a monthly WBITS line rate, optional WBITS upstream capacity add-on increment (WUCAI) rates, nonrecurring charges associated with each of the foregoing and a WBITS network reconfiguration charge.

(1) Monthly WBITS Access Service Connection Charge

A single monthly Access Service Connection Charge applies for each month the Customer connects to the Company's WBITS network. Monthly Access Service Connection Charges are based on the volume of WBITS lines provided to the customer for the month preceding the billing period.

(2) Monthly WBITS Line Rates

The monthly rate applies each month or fraction thereof for each local exchange service line equipped with WBITS.

WIRELINE BROADBAND INTERNET TRANSPORT SERVICE

For purposes of application of the monthly rate, WBITS may be ordered under any of the following options that are offered by the Telephone Company as indicated following.

Monthly Rates Without Discount Customers may order WBITS at a monthly rate without discount. Monthly rates apply without any volume or term commitment. There is no minimum period for WBITS.

WBITS Term and Volume Plan (TVP) Rates Customers may order WBITS under WBITS Term and Volume Plan (TVP) Rates as indicated following.

Service Classes WBITS is provided under two classes of service, Voice-Data and Data-Only.

Voice-Data WBITS provided on the basis of voice-data is designed to support affordable high speed Internet access for residential and business end users. The actual throughput achieved by voice-data is not guaranteed and may be affected by many factors, such as Internet congestion. Voice-Data WBITS is provisioned over the end user's existing Telephone Company local exchange telephone service line utilized for voice communications. When provisioned over the end user's existing local exchange telephone service line, WBITS utilizes a centrally placed splitter or in-line filters to isolate the voice band service and equipment from the WBITS and equipment.

Data-Only WBITS provided on a data-only basis is provisioned over a separate, dedicated data-only Telephone Company local exchange line facility.

(3) Nonrecurring Charges

A nonrecurring charge applies per local exchange service line for the installation of WBITS.

A nonrecurring charge also applies per addition of WUCAI to an existing WBITS line, with single charge applicable to one or more increments added at one time. In the event WUCAI is added at the same time as the original service order for a WBITS line, only the WBITS nonrecurring charge applies and no WUCIA nonrecurring charge applies.

A nonrecurring charge also applies to the establishment of a WBITS Access Connection.

For three-year term commitments, nonrecurring charges do not apply to WBITS Access Connections, WBITS lines or WUCIA.

(4) WBITS Network Reconfiguration Charge

A WBITS Network Reconfiguration Charge applies when the WBITS customer's ISP requests the Telephone Company to modify the Telephone Company's network to accommodate a change in the WBITS customer's existing WBITS line. A nonrecurring charge applies for each request per WBITS line. The Telephone Company will bill the

WIRELINE BROADBAND INTERNET TRANSPORT SERVICE

WBITS Network Reconfiguration Charge to the WBITS customer's ISP. No WBITS Network Reconfiguration Charge shall apply where the change requested by the WBITS customer is for a change in WBITS transmission speed.

All changes to existing WBITS (including but not limited to change of ISP), other than changes involving WBITS Access network reconfigurations and administrative activities, will be treated as a discontinuance of the existing service and an installation of a new service. A nonrecurring installation charge will apply per WBITS line for this work activity.

(5) Optional WBITS Upstream Capacity Increment (WUCI).

Where suitable facilities exist, a customer that requires the ability to transport high speed Internet Protocol transmissions upstream from an end user subscriber premises to the Customer at the DSL Access Connection Point, that exceed the downstream speed for the ordered WBITS service, the Customer may order additional increments of upstream capacity, Optional WBITS Upstream Capacity Increment (WUCI). WUCI increments are available in increments of 2, 3, 5 and 10 Mbps. Including both the upstream capacity indicated for a WBITS service and WUCI increments, the maximum upstream capacity available for any WBITS line is 75 Mbps. Notwithstanding the 75 Mbps ceiling, where technical limitations exist, the maximum available upstream capacity may be lower.

An example of the use of WUCI is as follows. A Customer may order a 5 Mbps Up/40 Mbps Down service and wish to add WUCI Increments totaling 15 Mbps to the service to attain 20 Mbps Up/40 Mbps Down service. In such case, the Customer would order, in addition to the WBITS 5 Mbps Up / 40 Mbps Down service two WUCI add-ons: a 10 Mbps WUCI and a 5 Mbps WUCI.

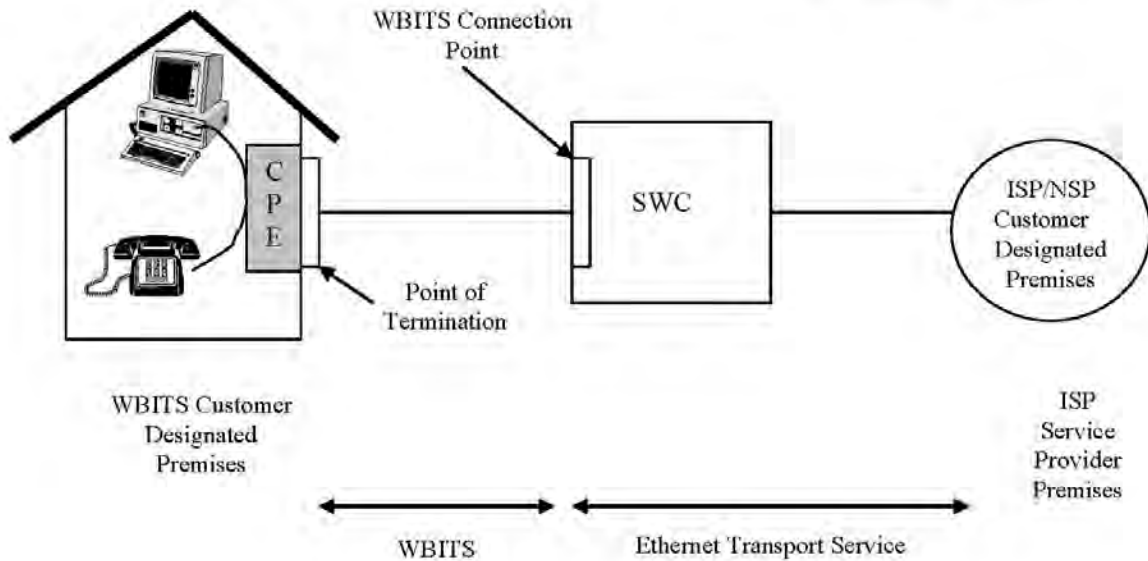
The end user subscriber's distance from the Telephone Company Serving Wire Center, condition of the facilities, and any capacity limitations in the Customer's ETS connection at the Company's DSL Access Service Connection Point may prohibit the availability of WUCI with respect to one or more end user subscriber premises.

Monthly and nonrecurring charges apply to each WUCI increment ordered by the Customer and activated by the Company. Rates for WUCI are listed below at Section 4.4.

WIRELINE BROADBAND INTERNET TRANSPORT SERVICE

3.4.B Rate Application

The following diagram depicts a typical WBITS configuration:



WIRELINE BROADBAND INTERNET TRANSPORT SERVICE

3.4.C Minimum Period

The minimum period for which WBITS is provided to a customer and for which charges are applicable is one month.

3.4.D Moves

A move involves a change in the physical location of one of the following:

- The Point of Termination at the customer designated premises
- The customer's designated premises

The charges for the move are dependent on whether the move is to a new location within the same building or to a different building.

(1) Moves within the Same Building

When the move is to a new location within the same building, the charge for the move will be an amount equal to one half of the nonrecurring (i.e., installation) charge for the service termination affected. There will be no change in the minimum period requirements.

(2) Moves to a Different Building

Moves to a different building will be treated as a discontinuance and start of service and all associated nonrecurring charges will apply. New minimum period requirements will be established for the new services. The customer will also remain responsible for satisfying all outstanding minimum period charges for the discontinued service.

3.4.E WBITS Term and Volume Plan (TVP) Rates

- (1) Description The WBITS Term and Volume Plan (TVP) allows customers discounted access rates based upon the volume and/or term commitment. Rates will be based upon the TVP selected by the customer.

Term plans of one (1) and three (3) years may be available to all customers at applicable rates set forth in the Rates, Terms and Conditions regardless of when the subscription is made for a WBITS TVP arrangement. The customer must designate on the order the type of payment plan selected. The selected term shall apply to all WBITS access lines ordered by the customer.

The minimum volume commitment of the TVP selected must be met within six (6) months of initiation of the term and for one-year term commitments and within twelve (12) months of initiation of the term for three year term commitments. Volume equals total WBITS access lines for all speed combinations for all study areas comprising the Company.

- (2) Rate Application Upon expiration of a TVP period, the customer may choose a new TVP period, convert to month-to-month or terminate service. The month-to-month rates will be

WIRELINE BROADBAND INTERNET TRANSPORT SERVICE

those rates that are in effect at the time of conversion. If the customer fails to make a choice by the end of the TVP period, the WBITS will continue billing at the existing term and volume commitment level rates and a new TVP period will begin based on previously effective term and volume commitment. All terms and conditions, including Termination Liabilities will apply to the new TVP period.

Conversion to a month-to-month or different TVP period will require the customer to submit a change order. Conversion of existing TVP service to a different TVP period will be allowed without application of any nonrecurring charges.

(3) Changes in Length of TVP Period

The customer may elect to convert to a new TVP period subject to the following conditions:

- (a) Credit will not be given toward the new payment period for payments made under the original TVP arrangement.
- (b) Nonrecurring charges will not be reapplied for existing service(s).
- (c) If the new TVP period is shorter in length than the time remaining under the existing TVP, the change to the new TVP period constitutes a discontinuance of the existing TVP service and termination liability charges apply.

(4) Rate Changes The customer may terminate the TVP without penalty or liability should the rates increase during the term of the existing TVP, with the exception of rate changes that may occur as a result of any rate increases resulting from FCC prescription or order that either directly or indirectly affects the cost to the Company of providing WBITS.

(5) Annual Review Each customer's TVP will be reviewed from time to time, including but not limited to at six months for one-year terms and at twelve months for three-year terms... The customer will be notified as to the status of the TVP if the in-service quantity of WBITS access lines falls below the minimum volume commitment. An allowance of up to 3% will be considered as still having met the volume commitment. Where the customer has less than the volume commitment quantity for a specified discount, charges will be assessed.

If the total number of WBITS lines in service qualifies the customer for a lower TVP rate, the customer will have the option of increasing the commitment quantity for the remainder of the plan.

(6) TVP Conditions After enrolling in the plan, the customer may delete or add WBITSs rated at the specified term period/threshold level rate at any time during the plan.

(7) Shortfall Charges for Failing To Meet Commitment At the six-month review or any later review for one-year term commitments or the one-year review for three-year term commitments, if the total volume in service does not meet the volume commitment, a payment equal to the difference between the TVP rate and the highest rate that would have been charged for services

WIRELINE BROADBAND INTERNET TRANSPORT SERVICE

not under the TVP plan plus 10% will be assessed. The payment will be calculated using the prorated WBITS aggregation quantity at the time of the review. The customer may choose to increase the volume commitment within 30 days after enrollment to the TVP and continue the TVP arrangement or choose to be billed on a going forward basis under either a different TVP or under the month-to-month rates. If after 30 days, the TVP volume levels are not met, the TVP will be automatically changed to the standard month-to-month rates.

- (8) Termination Liability When a TVP service is discontinued prior to the end of the commitment term, termination liability charges will apply at the rate for which the customer qualified at the time of termination based on committed term and actual volume level for the difference between the term and the actual months of service. If the difference includes a partial month, the portion of the termination liability for the partial month will be determined by proration based on the number of days of service relative to the calendar days in the month of partial service.

3.4.F Individual Case Basis (ICB) Offerings

The Company will enter into individual case basis pricing arrangements for all term and volume commitment discounts for term commitments of three years and volume commitments of 2,000 lines. The terms and conditions of these Rates, Terms, and Conditions will apply to all services subject to the ICB agreement at the agreed to rates for the respective volumes and speeds. The Customer and the Company will execute an Agreement establishing the volume commitment and rates and incorporate by reference these rates, terms, and conditions.

WIRELINE BROADBAND INTERNET TRANSPORT SERVICE

Section 4: Rates and Charges**4.1 WBITS Access Service Connection**

Per WBITS Access Service Connection ordered between customer and the Company's DSL Access Service Connection Point.

Term Commitment	Monthly Recurring Charge			Non-recurring Charge
	Prior Month Volume 1 to 499 Lines	Prior Month Volume 500 to 1,499 Lines	Prior Month Volume 1,500 or More Lines	
None	\$200.00	\$150.00	\$100.00	\$0.00
1 Year	\$150.00	\$100.00	\$50.00	\$0.00
3 Year	\$100.00	\$75.00	\$0.00	\$0.00

4.2 WBITS Network Reconfiguration Charge

Nonrecurring Charge per WBITS access line reconfigured.

Term Commitment	Prior Month Volume 1 to 499 Lines	Prior Month Volume 500 to 1,499 Lines	Prior Month Volume 1,500 or More Lines
None	\$30.00	\$25.00	\$20.00
1 Year	\$25.00	\$20.00	\$15.00
3 Year	\$20.00	\$15.00	\$10.00

WIRELINE BROADBAND INTERNET TRANSPORT SERVICE

4.3 WBITS Monthly Recurring and Nonrecurring Line Charges

Option	Term Commitment	Speed (kbps/Mbps) – Up To		Rates			Non-recurring Charge	
		Down-stream	Up-stream	Month-to-Month	Volume Commitments			
					Level 1 500 to 999 Lines	Level 2– 1,000 to 1,999 Lines		Level 3– 2,000 or More Lines
Voice-Data	None	1 Mbps	512 kbps	\$12.00			\$150.00	
Voice-Data	None	5 Mbps	1 Mbps	\$14.00			\$150.00	
Voice-Data	None	10 Mbps	2 Mbps	\$16.00			\$150.00	
Voice-Data	None	15 Mbps	3 Mbps	\$18.00			\$150.00	
Voice-Data	None	30 Mbps	5 Mbps	\$20.00			\$150.00	
Voice-Data	None	35 Mbps	5 Mbps	\$21.00			\$150.00	
Voice-Data	None	40 Mbps	5 Mbps	\$22.00			\$150.00	
Voice-Data	None	50 Mbps	25 Mbps	\$27.00			\$150.00	
Voice-Data	None	75 Mbps	25 Mbps	\$30.00			\$150.00	
Voice-Data	None	100 Mbps	50 Mbps	\$40.00			\$150.00	
Data-Only	None	1 Mbps	512 kbps	\$72.00			\$150.00	
Data-Only	None	5 Mbps	1 Mbps	\$74.00			\$150.00	
Data-Only	None	10 Mbps	2 Mbps	\$76.00			\$150.00	
Data-Only	None	15 Mbps	3 Mbps	\$98.00			\$150.00	
Data-Only	None	30 Mbps	5 Mbps	\$100.00			\$150.00	
Data-Only	None	35 Mbps	5 Mbps	\$101.00			\$150.00	
Data-Only	None	40 Mbps	5 Mbps	\$102.00			\$150.00	
Data-Only	None	50 Mbps	25 Mbps	\$127.00			\$150.00	
Data-Only	None	75 Mbps	25 Mbps	\$130.00			\$150.00	
Data-Only	None	100 Mbps	50 Mbps	\$140.00			\$150.00	

WIRELINE BROADBAND INTERNET TRANSPORT SERVICE

4.3 WBITS Monthly Recurring and Nonrecurring Line Charges

Option	Term Commitment	Speed (kbps/Mbps) – Up To		Month-to-Month	Rates			Non-recurring Charge
		Down-stream	Up-stream		Volume Commitments			
					Level 1 500 to 999 Lines	Level 2– 1,000 to 1,999 Lines	Level 3– 2,000 or More Lines	
Voice-Data	1 Year	1 Mbps	512 kbps		\$10.80	\$9.80	\$8.20	\$75.00
Voice-Data	1 Year	5 Mbps	1 Mbps		\$12.60	\$11.50	\$9.50	\$75.00
Voice-Data	1 Year	10 Mbps	2 Mbps		\$14.40	\$13.10	\$10.90	\$75.00
Voice-Data	1 Year	15 Mbps	3 Mbps		\$16.20	\$14.80	\$12.20	\$75.00
Voice-Data	1 Year	30 Mbps	5 Mbps		\$18.00	\$16.40	\$13.60	\$75.00
Voice-Data	1 Year	35 Mbps	5 Mbps		\$18.90	\$17.20	\$14.30	\$75.00
Voice-Data	1 Year	40 Mbps	5 Mbps		\$19.80	\$18.00	\$15.00	\$75.00
Voice-Data	1 Year	50 Mbps	25 Mbps		\$24.30	\$22.10	\$18.40	\$75.00
Voice-Data	1 Year	75 Mbps	25 Mbps		\$27.00	\$24.60	\$20.40	\$75.00
Voice-Data	1 Year	100 Mbps	50 Mbps		\$36.00	\$32.80	\$27.20	\$75.00
Data-Only	1 Year	1 Mbps	512 kbps		\$64.80	\$59.00	\$49.00	\$75.00
Data-Only	1 Year	5 Mbps	1 Mbps		\$66.60	\$60.70	\$50.30	\$75.00
Data-Only	1 Year	10 Mbps	2 Mbps		\$68.40	\$62.30	\$51.70	\$75.00
Data-Only	1 Year	15 Mbps	3 Mbps		\$88.20	\$80.40	\$66.60	\$75.00
Data-Only	1 Year	30 Mbps	5 Mbps		\$90.00	\$82.00	\$68.00	\$75.00
Data-Only	1 Year	35 Mbps	5 Mbps		\$90.90	\$82.80	\$68.70	\$75.00
Data-Only	1 Year	40 Mbps	5 Mbps		\$91.80	\$83.60	\$69.40	\$75.00
Data-Only	1 Year	50 Mbps	25 Mbps		\$114.30	\$104.10	\$86.40	\$75.00
Data-Only	1 Year	75 Mbps	25 Mbps		\$117.00	\$106.60	\$88.40	\$75.00

WIRELINE BROADBAND INTERNET TRANSPORT SERVICE

4.3 WBITS Monthly Recurring and Nonrecurring Line Charges (Cont'd)

Option	Term Commitment	Speed (kbps/Mbps) – Up To		Rates			Non-recurring Charge
		Down-stream	Up-stream	Month-to-Month	Volume Commitment s		
					Level 1 500 to 999 Lines	Level 2– 1,000 to 1,999 Lines	
Voice-Data	3 Year	1 Mbps	512 kbps		\$10.20	\$8.60	\$0.00
Voice-Data	3 Year	5 Mbps	1 Mbps		\$11.90	\$10.10	\$0.00
Voice-Data	3 Year	10 Mbps	2 Mbps		\$13.60	\$11.50	\$0.00
Voice-Data	3 Year	15 Mbps	3 Mbps		\$15.30	\$13.00	\$0.00
Voice-Data	3 Year	30 Mbps	5 Mbps		\$17.00	\$14.40	\$0.00
Voice-Data	3 Year	35 Mbps	5 Mbps		\$17.90	\$15.10	\$0.00
Voice-Data	3 Year	40 Mbps	5 Mbps		\$18.70	\$15.80	\$0.00
Voice-Data	3 Year	50 Mbps	25 Mbps		\$23.00	\$19.40	\$0.00
Voice-Data	3 Year	75 Mbps	25 Mbps		\$25.50	\$21.60	\$0.00
Voice-Data	3 Year	100 Mbps	50 Mbps		\$34.00	\$28.80	\$0.00
Data-Only	3 Year	1 Mbps	512 kbps		\$61.20	\$51.80	\$0.00
Data-Only	3 Year	5 Mbps	1 Mbps		\$62.90	\$53.30	\$0.00
Data-Only	3 Year	10 Mbps	2 Mbps		\$64.60	\$54.70	\$0.00
Data-Only	3 Year	15 Mbps	3 Mbps		\$83.30	\$70.60	\$0.00
Data-Only	3 Year	30 Mbps	5 Mbps		\$85.00	\$72.00	\$0.00
Data-Only	3 Year	35 Mbps	5 Mbps		\$85.90	\$72.70	\$0.00
Data-Only	3 Year	40 Mbps	5 Mbps		\$86.70	\$73.40	\$0.00
Data-Only	3 Year	50 Mbps	25 Mbps		\$108.00	\$91.40	\$0.00
Data-Only	3 Year	75 Mbps	25 Mbps		\$110.50	\$93.60	\$0.00

WIRELINE BROADBAND INTERNET TRANSPORT SERVICE

4.4 WBITS Upstream Capacity Increments (WUCI)

Option	Term Commitment	Speed (kbps/Mbps) – Up To		Rates				Non-recurring Charge
		Down-stream	Up-stream	Month-to-Month	Volume Commitments			
					Level 1 500 to 999 Lines	Level 2– 1,000 to 1,999 Lines	Level 3– 2,000 or More Lines	
Any	None	n/a	2 Mbps	\$2.50				\$100.00
Any	None	n/a	3 Mbps	\$3.50				\$100.00
Any	None	n/a	5 Mbps	\$5.00				\$100.00
Any	None	n/a	10 Mbps	\$8.00				\$100.00
Any	1-Year	n/a	2 Mbps		\$2.30	\$2.10	\$1.70	\$50.00
Any	1-Year	n/a	3 Mbps		\$3.20	\$2.90	\$2.40	\$50.00
Any	1-Year	n/a	5 Mbps		\$4.50	\$4.10	\$3.40	\$50.00
Any	1-Year	n/a	10 Mbps		\$7.20	\$6.60	\$5.40	\$50.00
Any	3-Year	n/a	2 Mbps		\$2.10	\$1.80		\$0.00
Any	3-Year	n/a	3 Mbps		\$3.00	\$2.50		\$0.00
Any	3-Year	n/a	5 Mbps		\$4.30	\$3.60		\$0.00
Any	3-Year	n/a	10 Mbps		\$6.80	\$5.80		\$0.00